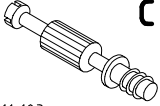


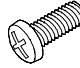


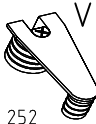
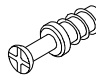
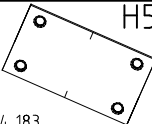

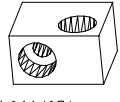
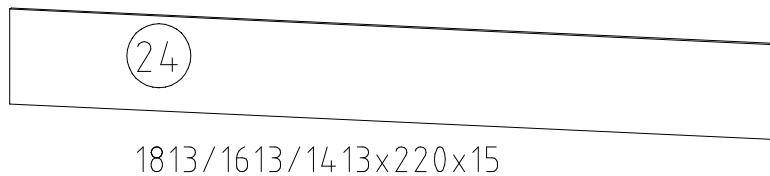
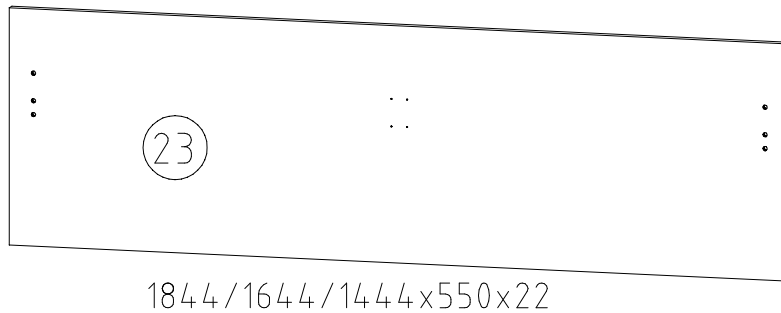
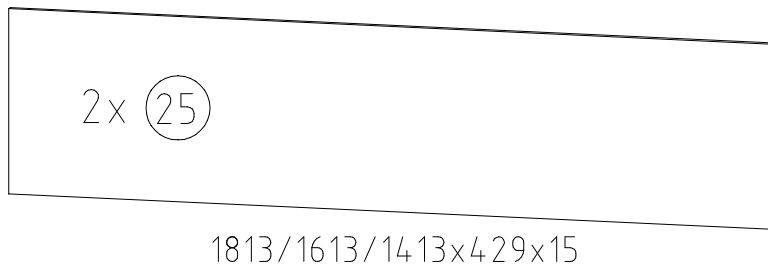
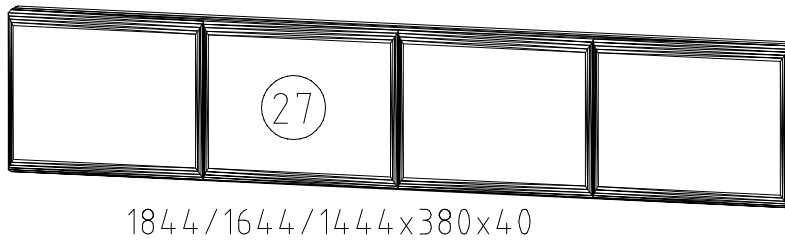
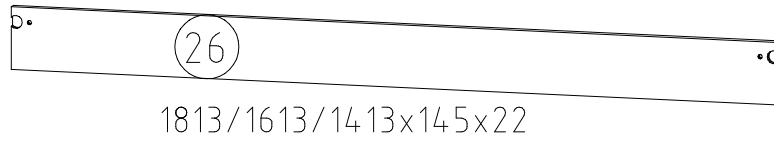
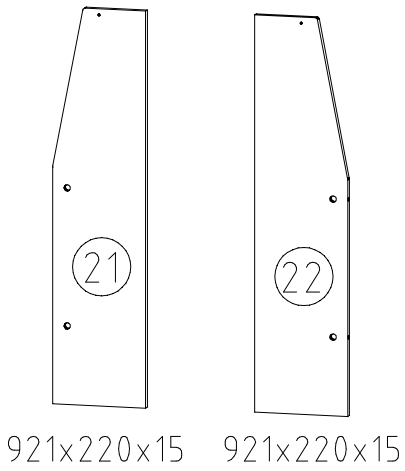
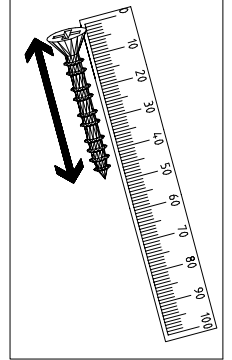
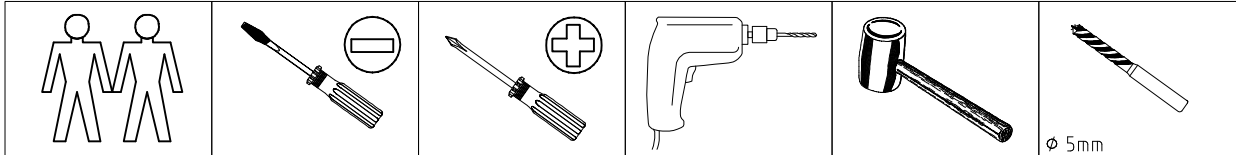
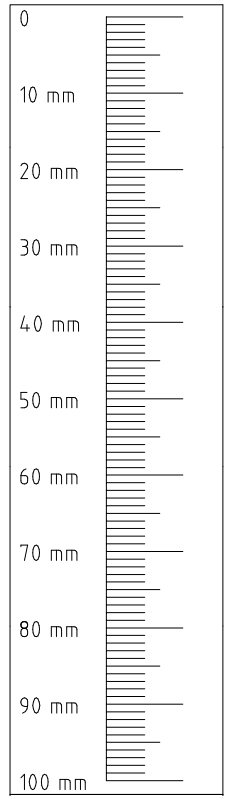
 111 102	A 4x
 111 103	C 4x
 121 120	SP15 4 X 15mm 24x

 111 112	H 6x
 121 148	G4 6x
 121117	SP23 4 X 23 mm 40x

 111 252	SG 25 4x
 111 252	VB23 2x
 111 229	F 2x

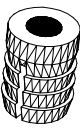
 114 183	H5 3x
 111 xxx	N-K 3x
 111 066/074	U 18x



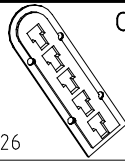
1

∅ 10 x 13 mm

H

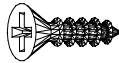


111 112

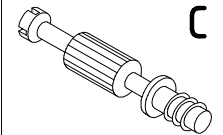
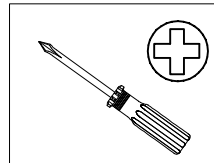
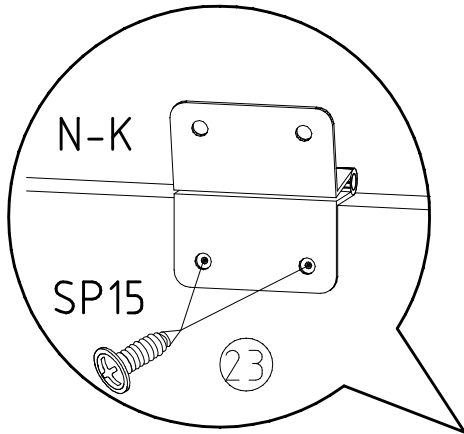
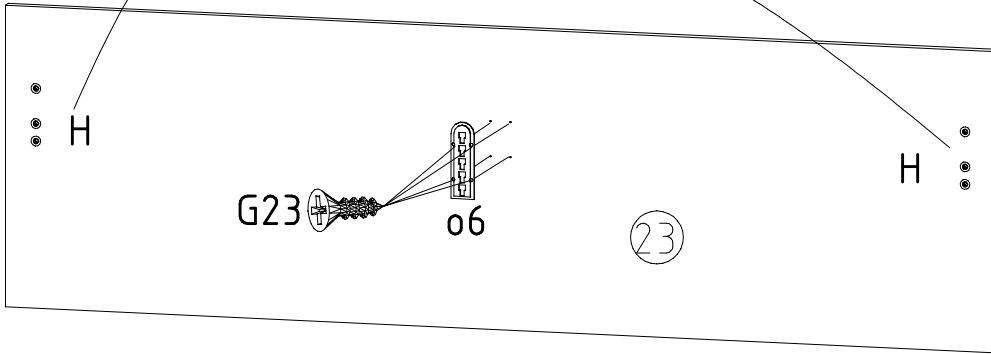
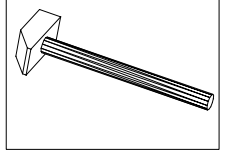
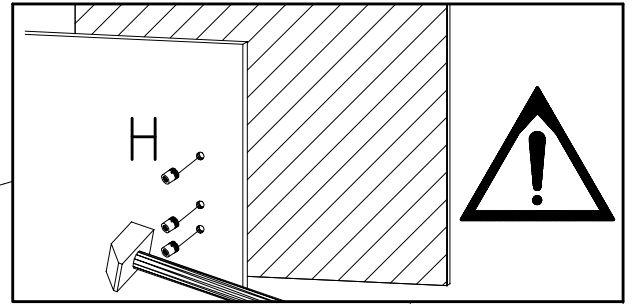
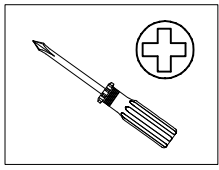


O6 4,0 x 15 mm

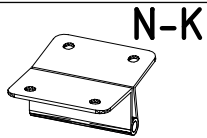
G23



121 110

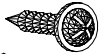


111 103

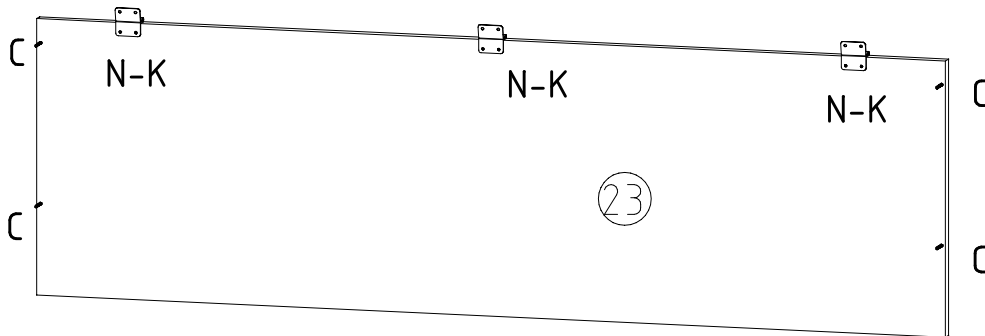


111 xxx

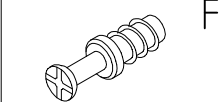
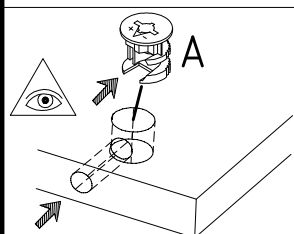
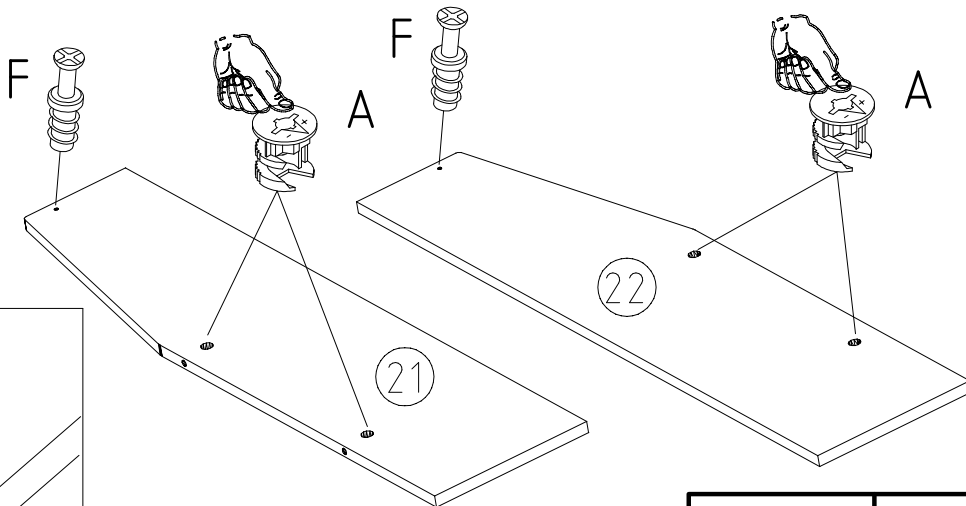
SP15
4 X 15mm



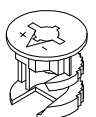
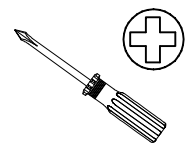
121 120



2

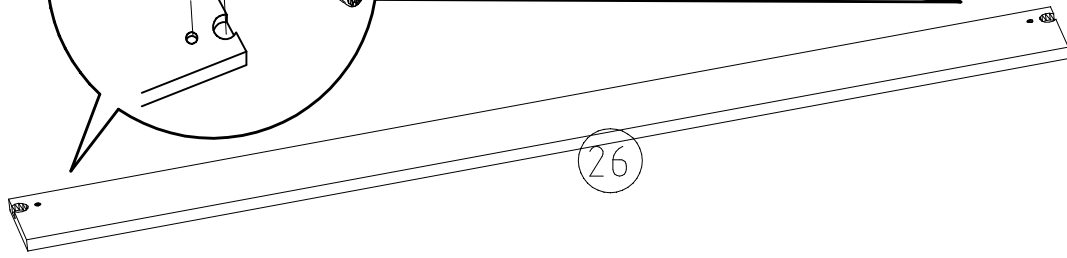
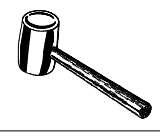
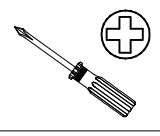
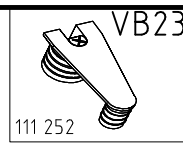
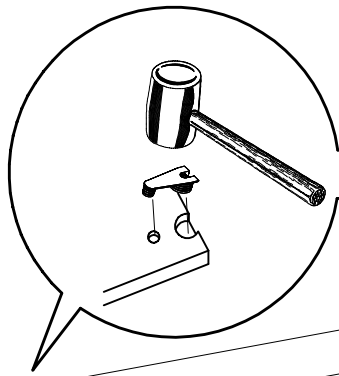


111 229

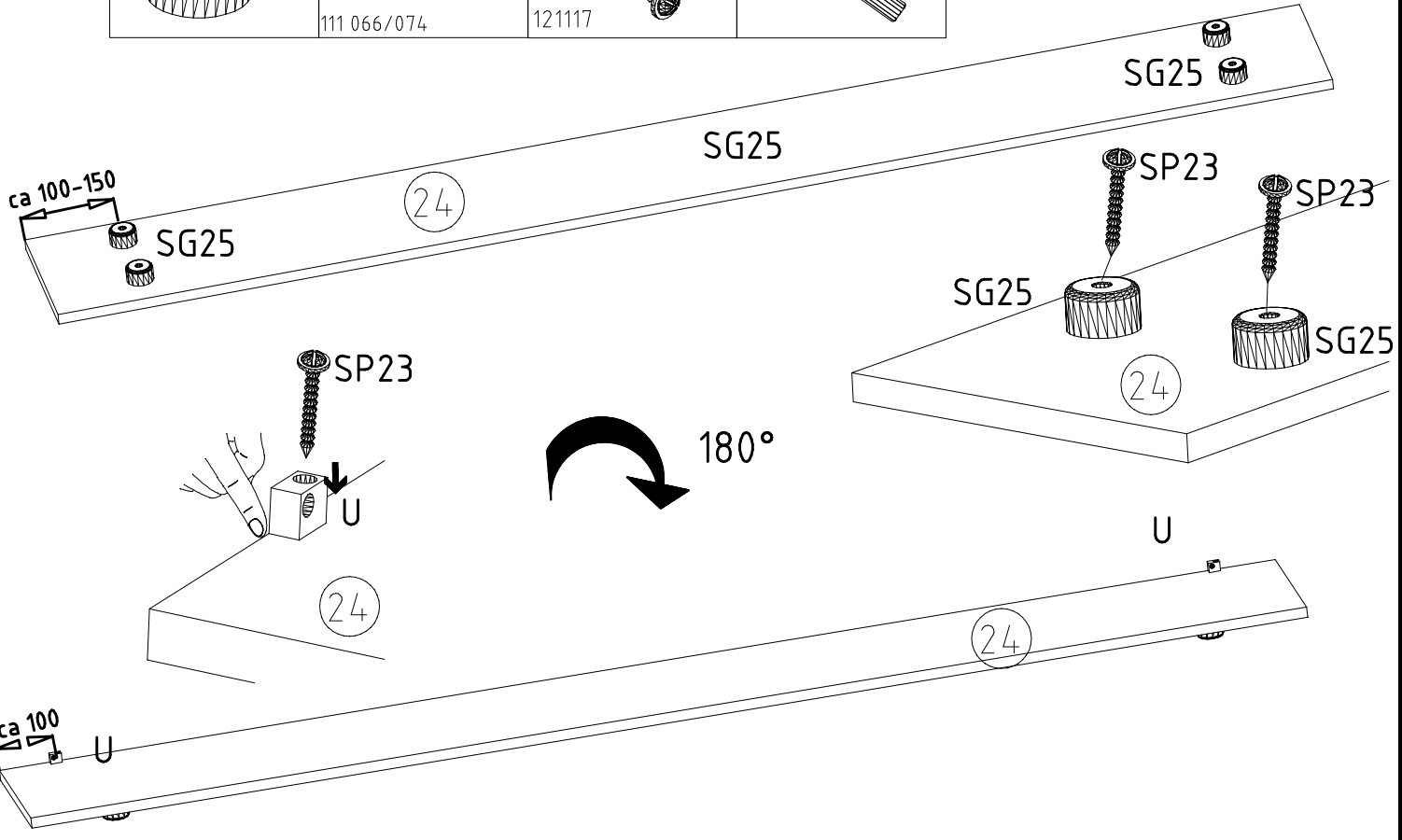
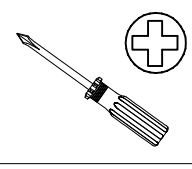
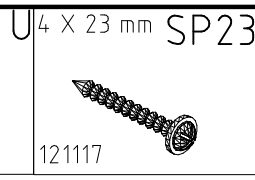
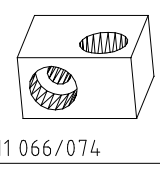
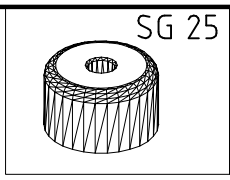


111 102

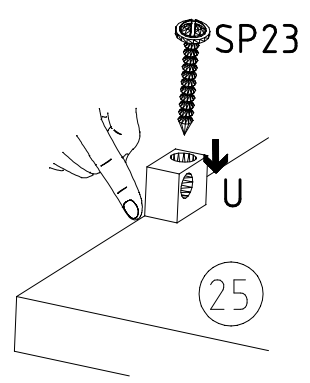
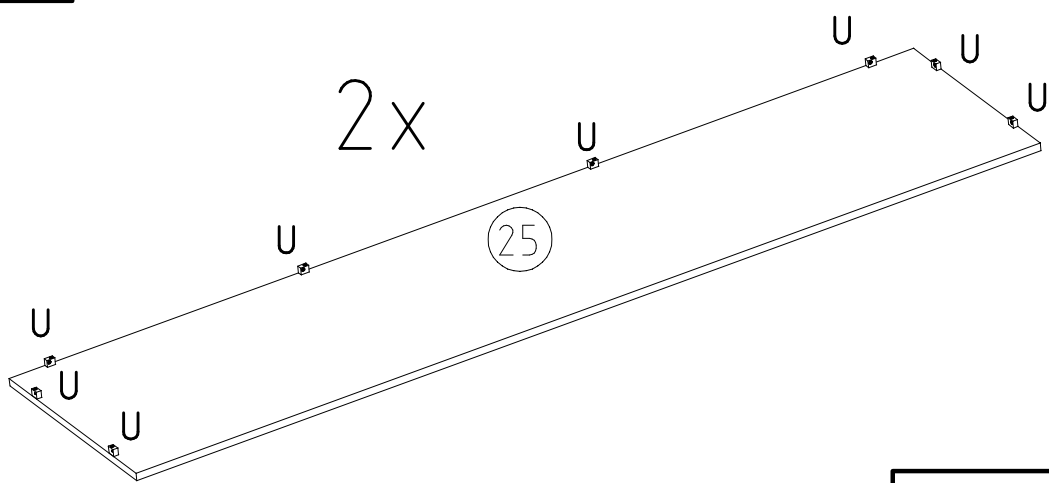
3



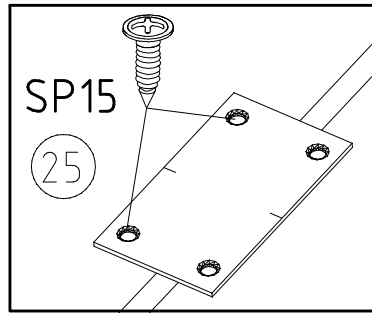
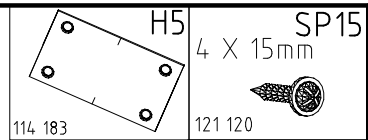
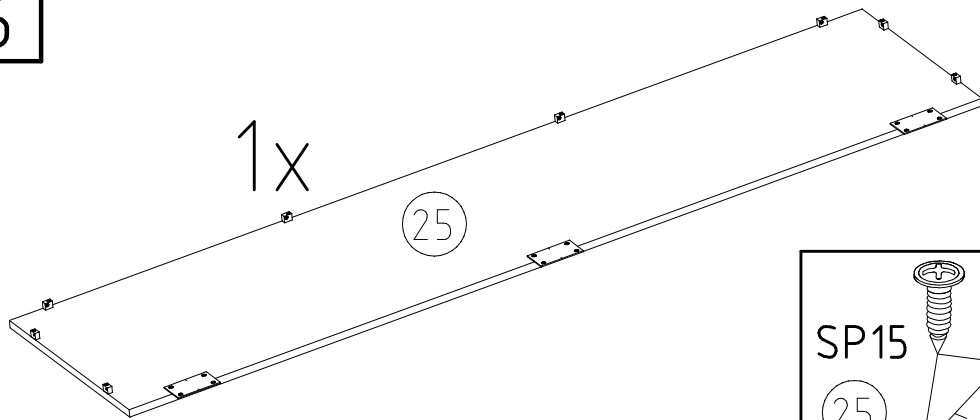
4



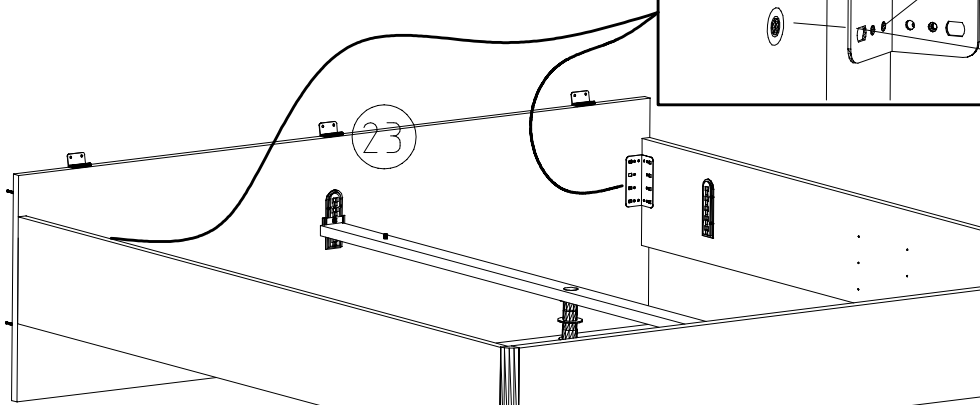
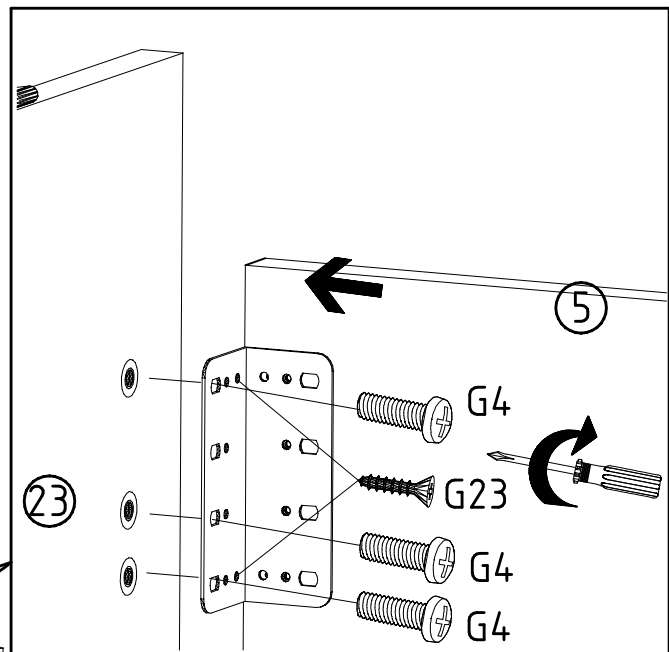
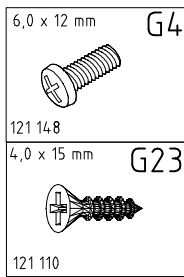
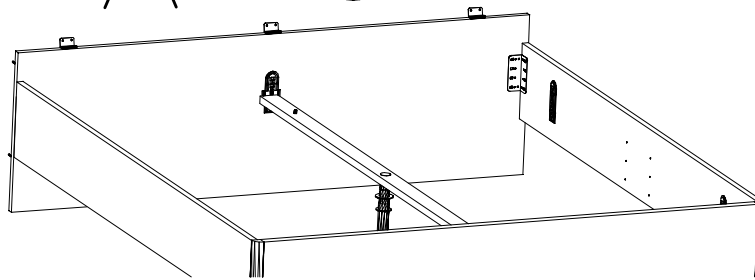
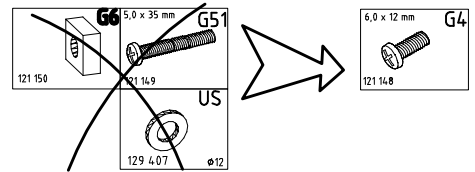
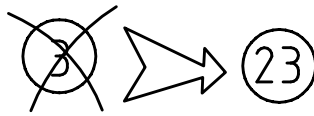
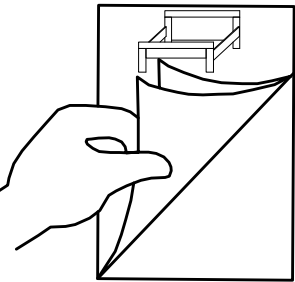
5



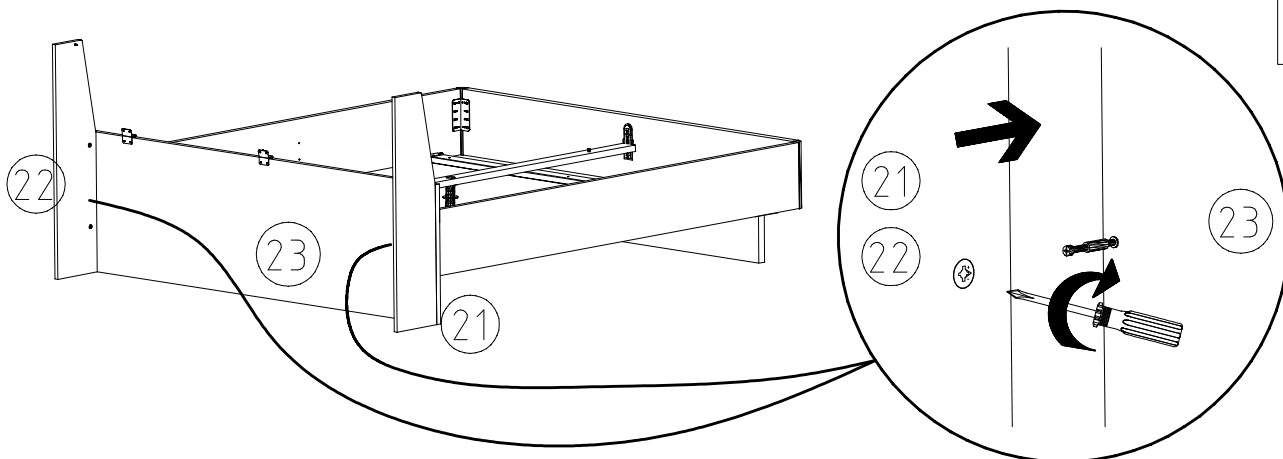
6



7

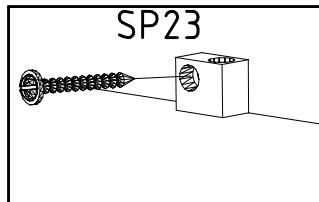
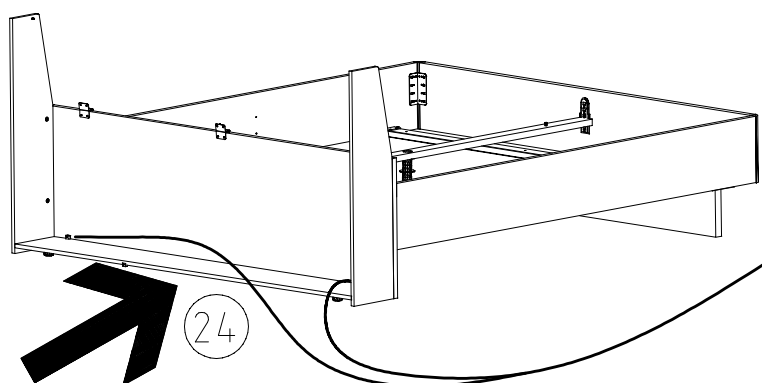
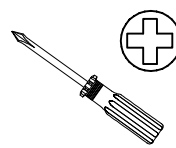


8

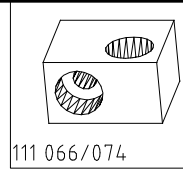


9

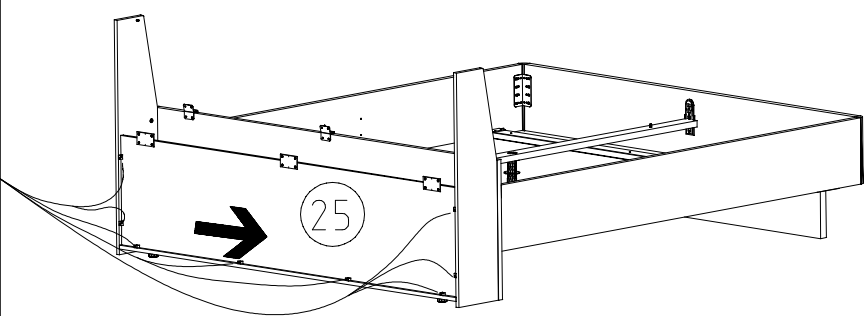
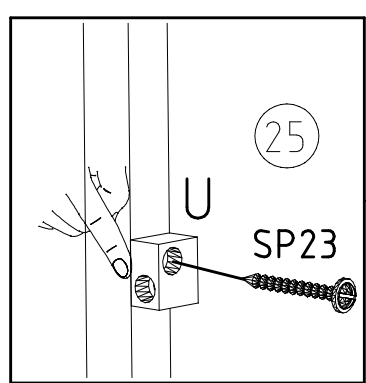
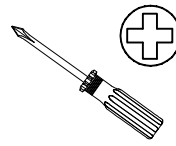
4 X 23 mm SP23
121117



10

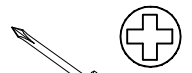


U 4 X 23 mm SP23
121117

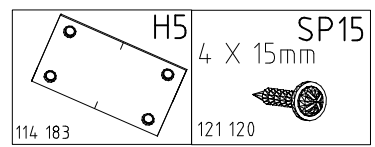
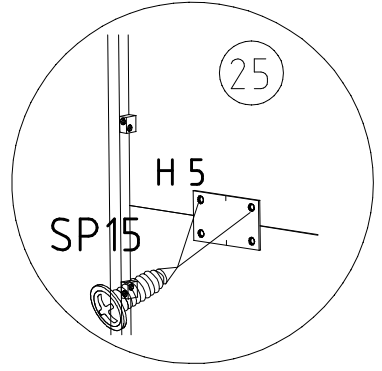
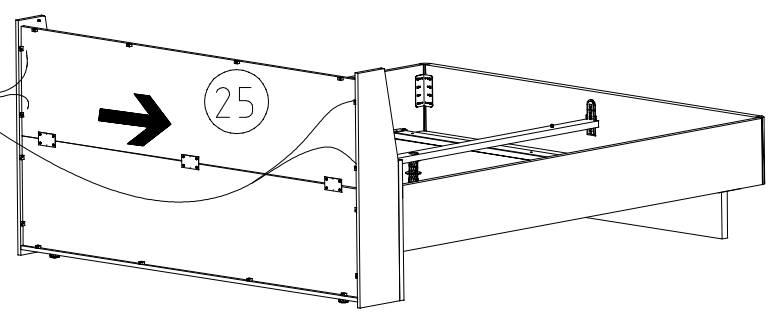
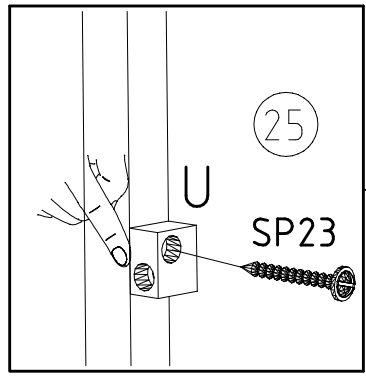


11

4 X 23 mm SP23

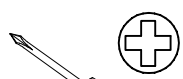


121117

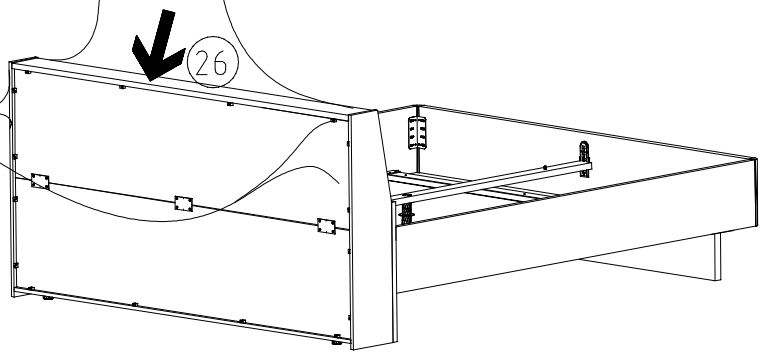
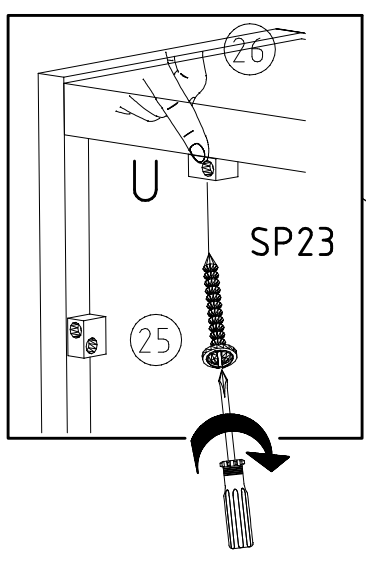
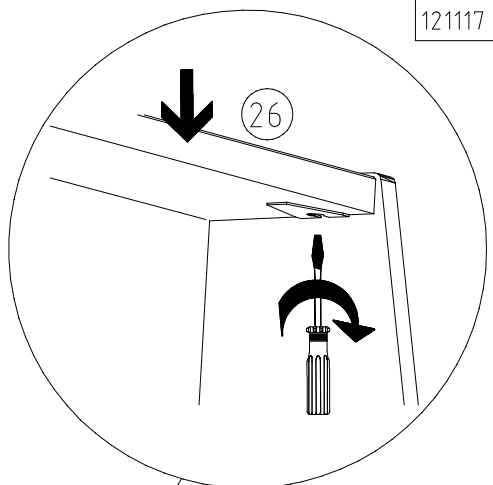


12

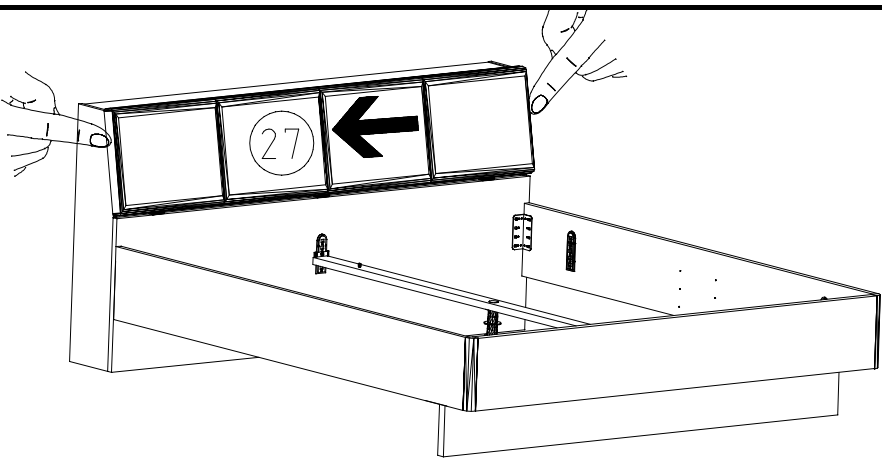
4 X 23 mm SP23



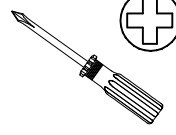
121117



13



+



SP15
4 X 15mm
121 120

